

SPECIFICATION

STAGE V



SKID STEER AND COMPACT TRACK LOADER 155, 270, 270T

Operating weight: 3121-4906kg Overall height: 1.98 - 2.10m Gross engine power: 42-55 KW (56-74 hp)



COMFORTABLY BETTER

Their unique Powerboom™ design and side entry door make JCB's skid steer and compact track loaders both stronger and safer than conventional twin arm machines, without compromise on power or performance. With a range of both wheeled and tracked models to choose from featuring vertical and radial lift options, there's sure to be a model to suit your needs.

COMFORTABLY BETTER CONTROL

With side-door entry, the largest cabs on the market, electric and adjustable joystick controls, our skid steers and compact track loaders enable maximum productivity.



COMFORTABLY BETTER VISIBILITY

The low boom profile on Hi-Viz models allows excellent visibility to both sides of the machine and the quick hitch, plus enhanced visibility to the tracks or wheels.



COMFORTABLY BETTER SAFETY

With a wide-opening side door for safe entry and exit, JCB machine operators no longer need to climb over large attachments or under an unsupported boom.



COMFORTABLY BETTER POWER

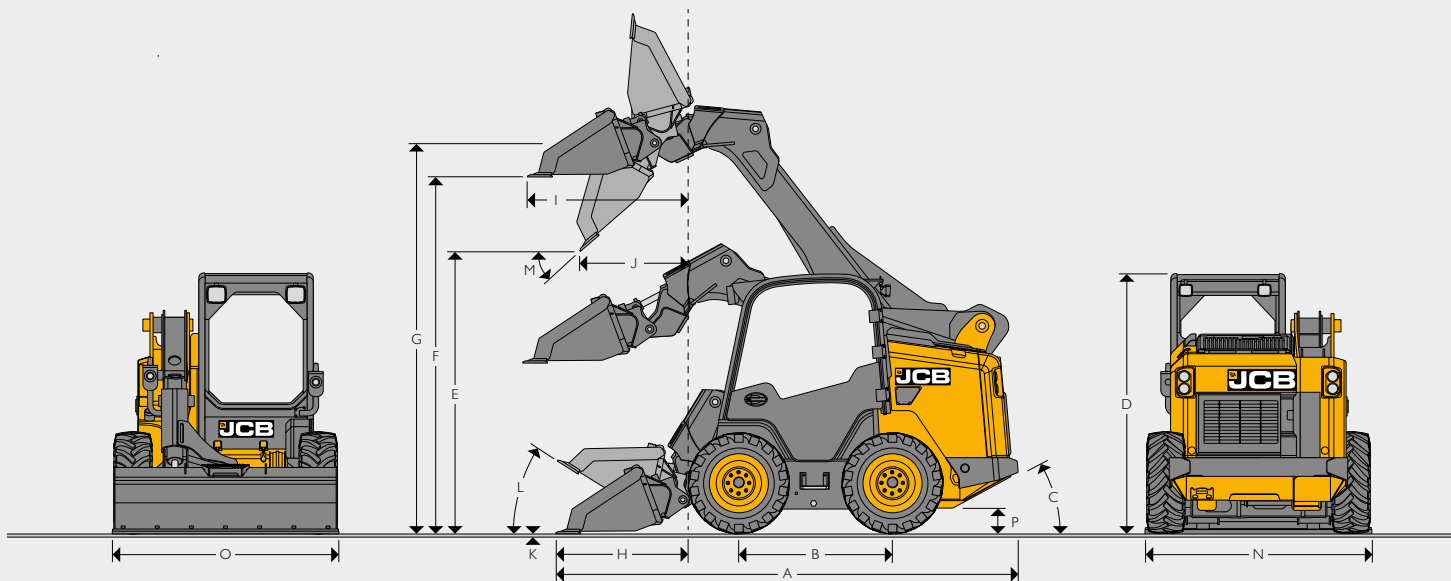
With plenty of power and versatile features, JCB sets new standards for efficiency and productivity in skid steer and compact track loaders.



COMFORTABLY BETTER PERFORMANCE

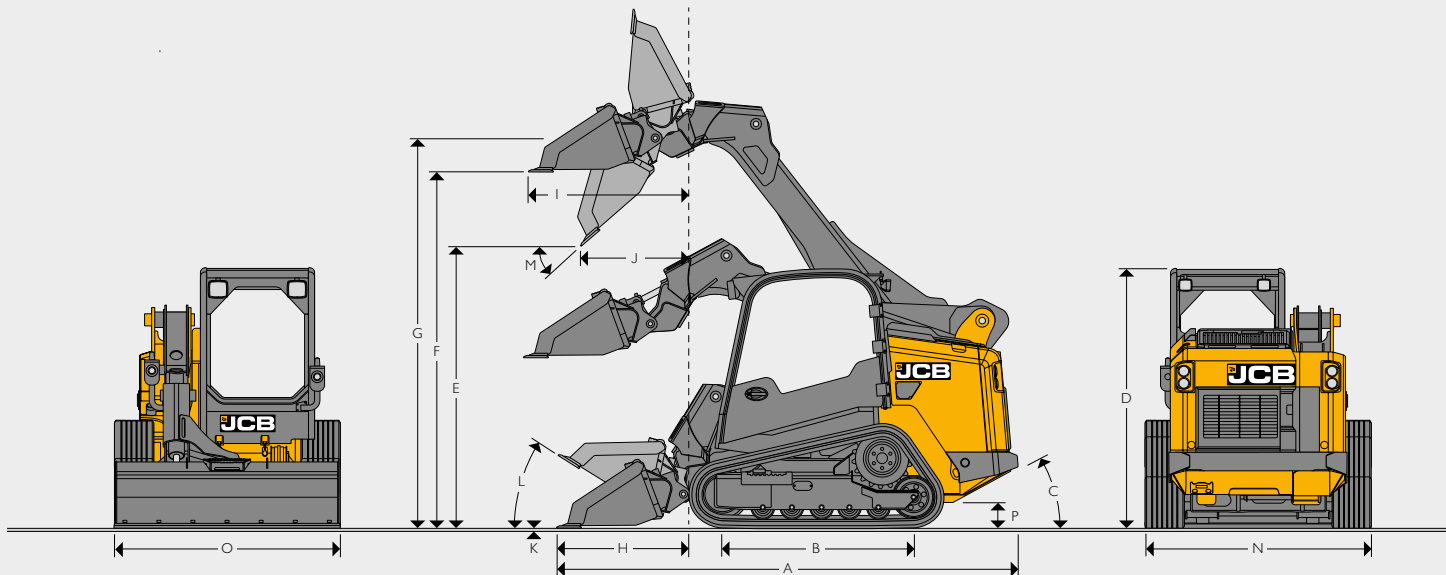
JCB skid steers and compact track loaders are built tough to handle the demands of any application and any condition.

STATIC DIMENSIONS – SKID STEER LOADER



		Small Platform	Large Platform
Lift path		Radial	Vertical
Machine model		155	270
A	Overall length	m	3.49
B	Wheelbase	m	1.07
C	Angle of departure	degrees	25°
D	Overall height	m	1.98
E	Dump height	m	2.26
F	Load over height	m	2.84
G	Pin height	m	3.00
H	Reach @ ground level	m	1.00
I	Max. reach @ full height	m	0.91
J	Reach @ full height - fully dumped	m	0.56
K	Dig depth clearance	m	-10
L	Rollback @ ground	degrees	30°
M	Dump angle	degrees	42°
N	Width over tyres - standard	m	1.52
O	Bucket width - standard	m	1.68
	Bucket capacity - standard	m ³	0.36
Turning radius			
	Bucket corner radius	m	2.09
	Quick hitch radius	m	1.14
	Rear chassis radius	m	1.65
P	Ground clearance	mm	210

STATIC DIMENSIONS – COMPACT TRACK LOADER



		Large Platform	
Lift path		Vertical	
Machine model		270T	
A	Overall length	m	3.80
B	Wheelbase	m	2.10
C	Angle of departure	degrees	29°
D	Overall height	m	2.08
E	Dump height	m	2.28
F	Loadover height	m	2.88
G	Pin height @ full height	m	3.18
H	Reach @ ground level	m	1.10
I	Max. reach @ full height	m	1.30
J	Reach @ full height - fully dumped	m	0.90
K	Dig depth clearance	mm	-10
L	Rollback @ ground	degrees	30°
M	Dump angle	degrees	42°
N	Width over tyres - standard	m	1.90
O	Bucket width - standard	m	1.90
	Bucket capacity - standard	m ³	0.43
Turning radius			
	Bucket corner radius	m	2.30
	Quick hitch radius	m	1.70
	Rear chassis radius	m	1.76
P	Ground clearance	mm	230

HYDRAULIC PERFORMANCE - SKID STEER

		Small Platform	Large Platform
Machine model		155	270
SAE cab operating weight (no counterweight)	kg	3121	3852
SAE cab operating weight full counterweight (2 pair suitcase weights)	kg	3213	N/A
Rated operating capacity (ROC) 50% (no counterweight)	kg	741	1306
ROC 50% with full counterweight	kg	N/A	N/A
Tipping load - no counterweight	kg	1482	2612
Tipping load - full counterweight	kg	N/A	N/A
Loader lift capacity with bucket	kgf	1914	2747
Bucket tilt breakout force	kgf	2418	2968

HYDRAULIC PERFORMANCE - COMPACT TRACK LOADER

		Large Platform
Machine model		270T
SAE Cab operating weight (no counterweight)	kg	4906
SAE Cab operating weight full counterweight (2 pair suitcase weights)	kg	N/A
Rated operating capacity (ROC) 35% (with full counterweight where applicable)	kg	N/A
Rated operating capacity (ROC) 35% (no counterweight)	kg	1306
Tipping load - no counterweight	kg	3831
Tipping load - full counterweight	kg	N/A
Loader lift capacity with bucket	kgf	2634
Bucket tilt breakout force	kgf	2968

HYDRAULICS

In addition to the main hydrostatic drive pumps, there is a dedicated service pump for the loader and attachments (auxiliary hydraulics circuit standard flow on all base models).

	155	270/270T
Standard flow	70 litres/min @2,450 RPM engine speed Main relief pressure 230bar (3,335psi) HYD Power Low Flow (36.0 hp)*	90 litres/min @2,300 RPM engine speed Main relief pressure 230bar (3,335psi) HYD Power Low Flow (46.7 hp)*
Optional auxiliary high flow	155 100 litres/min HYD Power High Flow (51.4 hp)*	270/270T 126.5 litres/min HYD Power High Flow (63.7 hp)*

- Low joystick lever efforts give excellent and easy control of transmission, loader and attachments
- Auxiliary hydraulics are actuated on the joystick roller giving progressive control of hydraulic fluid flow for precise attachment control
- Loader arm hydraulic lines under protective steel guard on PowerBoom™
- Canister style, full flow, hydraulic oil filter
- JCB engine oil for engine and chain case
- JCB hydraulic oil

*Calculated

CAPACITIES

		Small Platform	Large Platform
Hydraulic system (including tank)	litres	43.5	55
Fuel tank (radial / vertical lift)	litres	98 / 92	103.3
Engine coolant	litres	10	22
Engine oil min/max	litres	5.5 / 7.4	12 / 15
LH chaincase (wheeled machines only)	litres	19	23.3
RH chaincase (wheeled machines only)	litres	19	23.3

TRANSMISSION

A full electro-hydraulic controlled hydrostatic transmission giving zero to maximum speed, both forward and reverse at full power. Hydraulic power management system maintains full engine power availability maximising loader and attachment control.

Model		Single Speed	Two Speed
Travel speeds 155	kmh	12.0	12.0 / 18.5
Travel speeds 270	kmh	10.9	10.9 / 20.0
Travel speeds 270T	kmh	9.2	7.7 / 12.5

ENGINE			
		Small Platform	Large Platform
		I55	270/270T
Engine model		Kohler - KD11 903	JCB 430 TA5-55
Displacement	Litres	1.9	3.0
Fuel		Diesel	Diesel
Cooling		Liquid	Liquid
Aspiration		Turbo	Turbo
Gross Power @ RPM			
ISO 14396	kW (hp)	42 (56.3) @2600	55.2 (74) @2200
Gross Torque @ RPM			
ISO 14396	Nm	225@1500	440 @1150
Starter motor	kW (hp)	2 (2.72)	4.2 (5.63)
Battery voltage / rating @ 20hr	V/Ah	12 / 95	12 / 109
Alternator	amps	100	95
Emission certification		EU Stage V	EU Stage V
Engine oil service interval hours		500	1000
Variable speed hydraulically driven fan		Yes	Yes

TYRES / TRACKS

Tyres	Tracks
Standard – I55 10 x 16.5 - 8 PR Xtra Wall Off Road	270T
Standard – 270 12 x 16.5 - 10 PR Xtra Wall Off Road	400 mm wide traction lug
I55 - Available tyre options	Available track options
11 x 16.5 - 10 PR All Terrain	450 mm wide traction lug
10 x 16.5 - Reinforced 2 Steel Crown, 3 Metal Shoulders Bibsteel All Terrain	
7 x 15 - 14 PR Extra Duty Plus Industrial	
30 x 7.6 - 15 Solid no Aperture Extreme Industrial	
31 x 10 - 18 Solid with Aperture Brawler Heavy Duty Off Road	
33 x 10 - 20 Solid with Aperture Slick Heavy Duty	
270 - Available tyre options	
7.6 x 15 Solid Industrial Slick	
11 x 16.5 - 12 PR Xtra Wall Off Road	
12 x 16.5 - 10 PR Off Road	
12 x 16.5 - Reinforced 2 Steel Crown, 3 Metal Shoulders Bibsteel All Terrain	
15.5 x 16.5 - 14 PR Off Road Flotation	
33 x 11 - 20 Solid with Aperture Brawler Heavy Duty Off Road	
36 x 22 - 20 Solid with Aperture Brawler Heavy Duty Off Road	
32 x 8.5 - 16 Solid with Aperture Heavy Duty Industrial	
33 x 10 - 20 Solid with Aperture Slick Heavy Duty Off Road	

For arduous conditions and hostile environments solid tyres are recommended.

CONTROLS

JCB servo control (ISO) pattern provides all drive functions on left and loader function on right joystick. The left hand control pod pivots rearwards, providing unparalleled machine entry/exit.

EQUIPMENT

Sealed cab with heater/defroster	•	Heavy-duty rear door guard	+
Air conditioning	•	Front screen guard	+
ROPS and Level I FOPS	•	High flow auxiliary hydraulics	+
Centrifugal dry engine air filter with primary and secondary elements	•	Exhaust spark arrester	+
Mechanical quick hitch. Electronic hand throttle	•	Bucket tooth guard	+
Two front and one rear work light	•	Powered quick hitch	+
Reverse camera	•	Smooth ride system	+
Emergency lower valve	•	Polycarbonate screen	+
Fuel gauge	•	Three-inch seat belt	+
Hydraulic park brake	•	Creep speed	+
Standard flow auxiliary hydraulics	•	Fenders	+
Seven-way joysticks	•	Reversing fan	+
Rear service access door	•	Air Intake	+
Tilting cab	•	Pre-cleaner	+
Static seat in wheeled models	•		
Mechanical suspension seat in tracked models	•	OPERATOR ENVIRONMENT	
Float	•	Full ROPS and level 1	•
Pod storage area	•	Level 2 FOPS guard for demolition	+
Cup holder	•	Full visual and audible warning system	•
Power socket	•	EC noise directive compliant soundproofing	•
Rear view mirror	•	Operator enclosure access through side door	•
Interior light	•	Fully adjustable seat	•
Battery isolator	•	Retractable seat belt	•
Foot throttle	•	Touch screen	•
Radio	•	Electric over hydraulic controls with JCB multi-function joysticks	•
Twine cutter (wheeled units only)	•		
ISO/H pattern	•	LIGHTING AND ELECTRICS	
Isolation mounted operator enclosure	•	12 VDC negative ground system	•
Changeover	•	1,000 cold cranking amps (CCA) battery @0deg F	•
Fuel cap protection	•	Low charge pressure alarm	•
Mechanical and air suspension seats	+	Engine water temperature alarm	•
LED work lights	+	Blocked air filter pressure alarm	•
Road lights	+	Engine oil pressure alarm	•
Beacon	+	Avoltage alarm	•
Fire extinguisher	+	Operator enclosure mounted fuse and relay box	•
Toolkit	+	Standard battery disconnect	•
Self levelling	+		
Level 2 FOPS guard	+		

STANDARD •

OPTIONAL +





ONE COMPANY, OVER 300 MACHINES.

Your nearest JCB dealer

SKID STEER AND COMPACT TRACK LOADER 155, 270, 270T

Operating weight: 3121-4906kg Overall height: 1.98 - 2.10m Gross engine power: 42-55 KW (56-74 hp)

JCB Sales Limited, Rocester, Staffordshire, United Kingdom ST14 5JP.

Tel: +44 (0)1889 590312 Email: salesinfo@jcb.com

Download the very latest information on this product range at: www.jcb.com

©2023 JCB Sales. All rights reserved. No part of this publication may be reproduced, stored in a retrieval system, or transmitted in any form or by any other means, electronic, mechanical, photocopying or otherwise, without prior permission from JCB Sales. All references in this publication to operating weights, sizes, capacities and other performance measurements are provided for guidance only and may vary dependant upon the exact specification of machine. They should not therefore be relied upon in relation to suitability for a particular application. Guidance and advice should always be sought from your JCB Dealer. JCB reserves the right to change specifications without notice. Illustrations and specifications shown may include optional equipment and accessories. The JCB logo is a registered trademark of J.C. Bamford Excavators Ltd.

